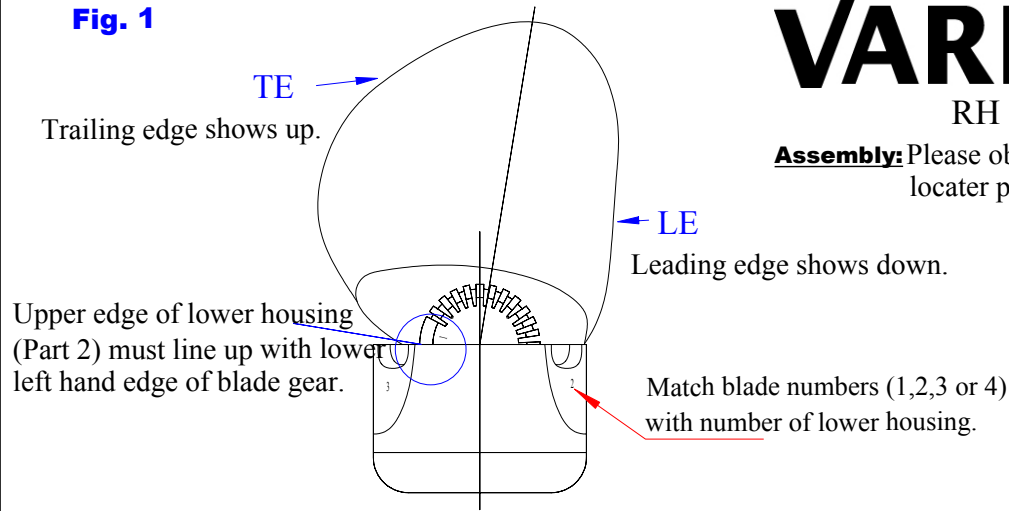


**Fig. 1**



# VARIPROP

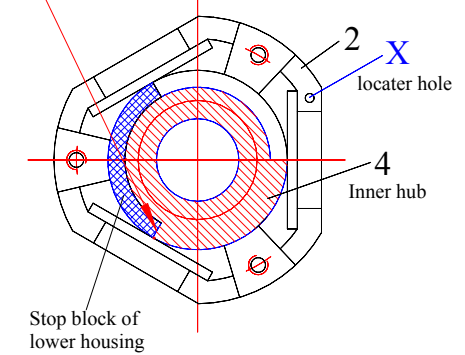
RH (right hand)

**Assembly:** Please observe the position of the locator pin and hole marked X

**Fig. 2**

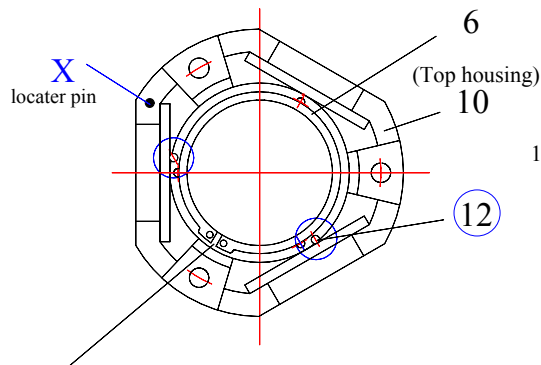
Section A-A

Turn inner hub (4) RH to the stop inside the lower housing (2).



**Fig. 3** Section B-B

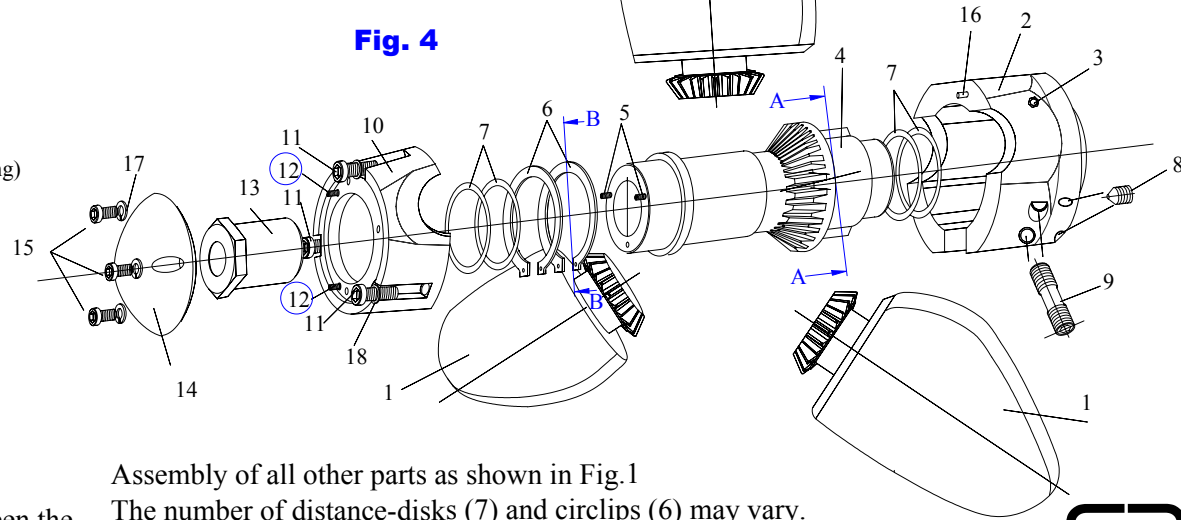
Assembly part 10, part 6 and part 12.



**Important note:**

Place the open part of the circlips (6) between the smaller distance of the 2 stop screws (12)

**Fig. 4**



Assembly of all other parts as shown in Fig.1  
The number of distance-disks (7) and circlips (6) may vary.

**SPW** GmbH

Ref: 02.03 September 2003